



MultiLED 2

Rechargeable battery-operated luminaires with magnet holder

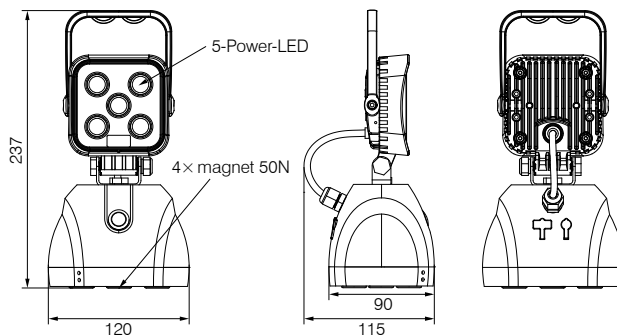
Small, powerful LED spotlight combined with state of the art Li-Ion battery technology.

Technical Data

LED power:	5×3W
Luminous flux:	900lm
Electric power supply:	Li-Ion 4.400mAh/7.4VDC
Luminous period	
– Mode 100%:	approx. 5h
– Mode 50%:	approx. 10h
Charging time:	approx. 5h
	Charging indicator with green LED = 100%
Beam angles:	Flood 90°
Protection category:	IP65
Weight incl. accu:	approx. 850g
Dimensions (L×W×H):	237×120×115 mm
Operating temperature range:	–20°C to +46°C
Charging temperature range:	+10°C to +30°C
Casing:	plastic blue/black rubberised, impact-resistant
Light unit :	aluminum black
Toggle mode:	100%, 50%, flash, off
Additional characteristic features:	Base socket with 4× magnet 50N bracket/suspension bracket pivoting 180° USB socket 5× VDC 2A 230VAC 50/60 Hz IP20
Charging unit:	KFZ 12/24VDC/8.4VDC with cigarette plug optional 5-fold charging adapter 230VAC
Capacity indicator:	
– green:	>65%
– yellow:	25-65%
– red:	10-25%
– red flash:	<10%



Dimensions



Our assortment

- 840596 MultiLED 2 rechargeable battery-operated luminaires with magnet incl. charging station 230 VAC and car charger 12/24VDC with cigarette plug
- 840618 Fivefold charging station 230 VAC 70 VA

Spare-/ wear parts as batteries are also available.



Item no.: 840618